

Travel 401 S

Travel 401 L

Travel 801 S

Travel 801 L

**Operating Manual**  
(English)



1. Contents .....	3
2. Important safety and handling instructions .....	4
3. Introduction.....	6
4. About this instruction manual.....	7
5. Conformity declaration.....	7
6. Warranty conditions.....	8
6.1 Extent of warranty.....	8
6.2 Warranty process.....	9
7. Equipment and operating elements.....	10
7.1 Supply scope.....	10
7.2 Plan of operating elements.....	11
8. Starting up.....	12
8.1 Assembly of the drive .....	12
8.2 Fitting the outboard motor to the boat.....	14
9. Operation.....	16
9.1 Battery and charger.....	16
9.2 Transom bracket.....	18
9.3 Tiller.....	18
9.4 Pylon.....	20
9.5 Optimal submergence depth .....	21
10. Dismantling.....	21
11. Storage and care instructions.....	22
11.1 Corrosion protection.....	22
11.2 Battery care.....	23
11.3 Other care instructions.....	23
12. Trouble-shooting.....	23
13. Technical data.....	25
14. Disposal instructions.....	25
15. Accessories.....	26
16. Torqeedo Service Centers .....	28

## 2. Important safety and operating instructions

### Important safety instructions



Torqueedo motors are designed to operate safely and reliably as long as they are used according to the operating manual. **Please read this manual carefully** before you start the motor. Ignoring these instructions can cause property damage or personal injury. Torqueedo accepts no liability for damage caused by actions that contradict this operating manual.

To ensure safe operation of the motor:

- Familiarize yourself with all the motor controls. You should be able to stop the motor quickly if necessary.
- Only allow adults who have been instructed on how to operate the motor to run it.
- Follow the boat manufacturer's instructions on the permissible motorization of your boat. Do not exceed the capacity limits.
- Stop the engine immediately if someone goes overboard.
- Do not run the motor if someone is in the water near the boat.
- Do not use the motor as a lashing point for your boat. Do not use the motor as a handle for lifting or carrying smaller boats.
- Do not open the battery case and protect the battery pack from mechanical damage.
- Do not short circuit the battery.
- Do not submerge the battery in water or other liquids.
- Only charge the battery at ambient temperatures between 0° and 45°C.
- The battery of your Travel Motor is classified as a hazardous item under the UN 9 classification. Transport for private use is not critical. If sending by courier, the appropriate legal regulations must be observed.

## 2. Important safety and operating instructions

### Important operating instructions



Here are the most important instructions on operating Torqeedo Travel Motors. Apart from these instructions, please observe the complete operating instructions to prevent damage to your motor.

- Only run the motor when the propeller is under water. If it is run in the air, the shaft sealant rings that seal the motor to the drive shaft may become damaged. If the motor is run in the air for a longer period, the motor itself can overheat.
- When mounted, the battery is protected against rain and spray water. Do not submerge it, and keep the contacts as well as the charger port dry. If water enters the battery via the contacts or the charger port, this can cause irreparable battery damage. If liquid has entered the battery, first drain off the liquid through the battery case openings. Then dry the battery in a dry, warm environment up to 50°C before you use it again or before you press the „Battery charge“ button.
- After use, always take the motor out of the water. You can do this using the tilt mechanism of the transom mount.
- After use in salt or brackish water, rinse the motor (but never the battery) with fresh water.
- Occasionally use contact spray to care for the battery contacts, the shaft head contacts, the steering cable plug as well as the steel bolts at the joints of the folding shaft. If you use the motor in salt or brackish water, we recommend applying contact spray once a month.
- You will prolong the life of your battery if you do not expose it to a very hot environment or store it fully charged for longer than necessary. When you store the battery over an extended period (e.g. over the winter), charge it to about 80-97% and store it at -20°C to +15°C to ensure a long battery life.
- Always store the motor and battery dry in the drybag.
- Only use the drybag for transport, not for shipping. Do not place heavy objects on top of the motor stowed in the drybag.
- If the motor malfunctions, first switch the tiller control to the stop position for approx. 2 seconds. The stop position has a reset function and may correct minor faults itself.
- If the battery malfunctions (all LEDs flash), remove the battery from the shaft head. Wait until the LEDs go out (approx. 3 seconds) and press the „Battery charge“ button. This features an integrated reset function and may correct minor faults itself.
- If you have a problem with your motor, please follow the instructions in this manual for handling warranty claims.

### 3. Introduction

Dear Customer,

We are delighted that you have chosen our motor. In terms of motor, battery and propeller technology, your Torqeedo Travel outboard motor is cutting-edge technology. It has been designed and manufactured with the utmost care and with a special focus on comfort, user-friendliness and safety, then exhaustively tested before delivery.

Please take the time to read these operating instructions carefully so that you can use the motor properly and enjoy it for a long time.

We constantly strive to improve Torqeedo products. Should you have any comments on the design and use of our products, we would be pleased to hear from you. Please contact our Customer Services if you have any questions on Torqeedo products ([service\\_international@torqeedo.com](mailto:service_international@torqeedo.com)).

We hope you have a lot of fun with this product. You will be surprised at how much power this lightweight electric outboard packs.

Yours,

Dr. Friedrich Böbel  
Managing Partner

Dr. Christoph Ballin  
Managing Partner

#### 4. About this instruction manual

This instruction manual will help you use your Torqeedo Travel 40 1/801 safely and efficiently. All information is given according to our latest knowledge. Subject to technical changes.



- Highlights a danger or process which could lead to injury or property damage



- Highlights a danger or process which could lead to property damage

#### 5. Conformity declaration

We, Torqeedo GmbH, with sole responsibility, declare the conformity of the Travel 40 1/801 product range with the following provisions:

Small water vehicles  
Electrical systems  
Low voltage-direct current (DC) units  
DIN EN ISO 10133:2000

Starnberg, November 2006



Managing Director's signature

The aforementioned company holds the following technical documents available for viewing:

- Required operating manual
- Plans/software source code (EU authorities only)
- Inspection records (EU authorities only)
- Other technical documentation (EU authorities only)

## 6. Warranty conditions

### 6.1 Extent of warranty

Torqueedo GmbH, Petersbrunner Straße 3a in D-82319 Starnberg, Germany, guarantees the final purchaser of a Torqueedo outboard motor that the product is free from material and manufacturing faults during the period stated below. Torqueedo will indemnify the final purchaser for any expense for the repair of a material or manufacturing fault. This indemnification obligation does not cover the incidental costs of a warranty claim or any other financial losses (e.g. costs for towing, telecommunications, food, accommodation, loss of earnings, loss of time etc.).

The warranty ends two years after the date on which the product was delivered to the final purchaser. Products that are used commercially or by public authorities - even if only temporarily - are excluded from this two-year warranty. In these cases, the statutory warranty applies. The right to claim under warranty runs out six months after discovery of a fault.

Torqueedo decides whether faulty parts are repaired or replaced. Distributors and dealers who repair Torqueedo motors have no authority to make legally binding statements on behalf of Torqueedo.

Normal wear and tear and routine servicing are excluded from the warranty.

Torqueedo is entitled to refuse a warranty claim if

- the warranty was not submitted properly (see Warranty process)
- the product was not treated in accordance with the instructions
- the safety, operating and care instructions in the manual were not observed
- the product was in any way altered or modified or parts and accessories were added that are not expressly permitted or recommended by Torqueedo
- previous services or repairs were not carried out by firms authorized by Torqueedo, or non-original parts were used

unless the consumer can prove that the facts that led to the warranty being void did not affect the development of the fault.



As well as the rights arising from this warranty, the customer also has legal warranty claim rights arising from the purchase contract with the dealer which are not hampered by this warranty.

### 6.2 Warranty process

Adhering to the following warranty process is a prerequisite to the satisfaction of any warranty claims.

Before dispatching any apparently faulty goods, it is imperative to coordinate the delivery with Torqeedo Services. You can contact us by phone, email or post. You can find the contact details on the back of this manual. Please note we are unable to deal with products of which we have not been notified and will therefore refuse to accept delivery.

To check a warranty claim and to process a warranty, we require a completed warranty certificate as well as proof of purchase.

- The warranty certificate attached to this operating manual must show contact details, product details, serial number and a brief description of the fault.
- Proof of purchase must indicate the purchase and the date of purchase (e.g. till receipt, invoice or receipt).

When shipping, it must be noted that the LIMA battery is classed as a UN9 hazardous item. If the dispatched product includes a LIMA battery (either by itself or with the motor), posting and packing must be in accordance with the relevant directive. In this instance we recommend keeping the original Torqeedo packaging. The enclosed drybag is not to be used as a shipping package.

We are available to answer any questions regarding the warranty process - simply use the details on the back cover.

## 7. Equipment and operating elements

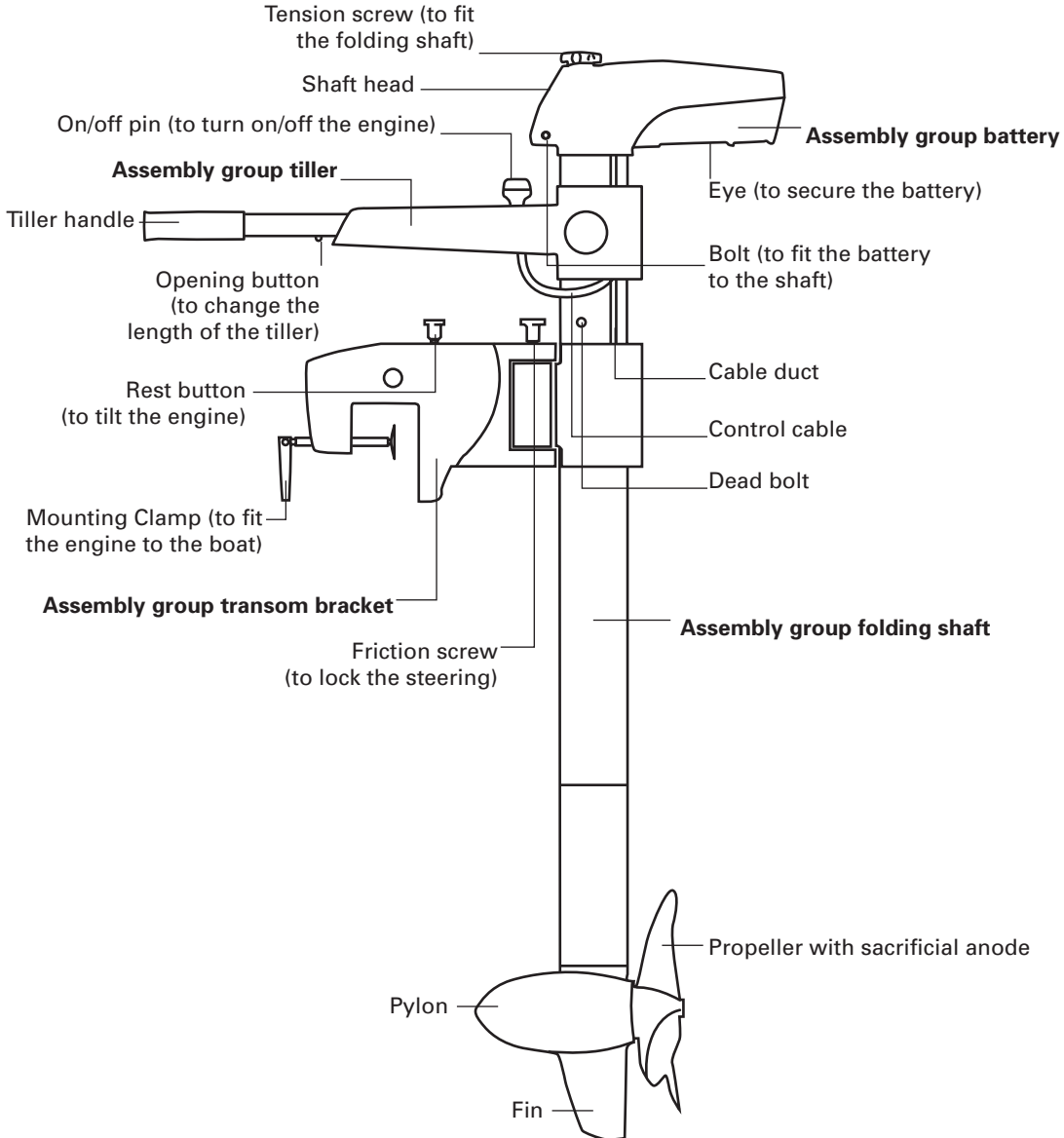
### 7.1 Supply scope

The full supply scope of your Torqeedo Travel should include the following parts:

- Folding shaft assembly group
- Transom bracket assembly group
- Tiller assembly group
- Battery assembly group
- Tiller handle
- 2 bolts (to attach the battery)
- 2 on/off pins
- Drybag
- Charger including Euro charger cable, US charger cable and UK adapter
- Operating instructions
- Warranty certificate
- Packaging

## 7. Equipment and operating elements

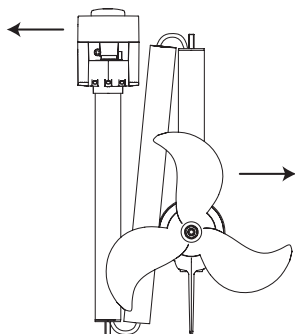
### 7.2. Plan of operating elements



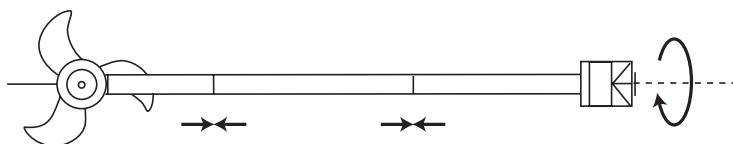
## 8. Starting up

### 8.1 Assembly of the drive

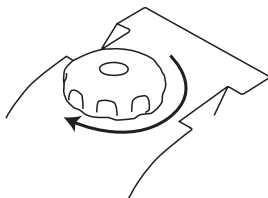
1. Remove all the components, assembly groups and parts delivered with your Travel from the packaging.
2. Open the folding shaft on an even surface.



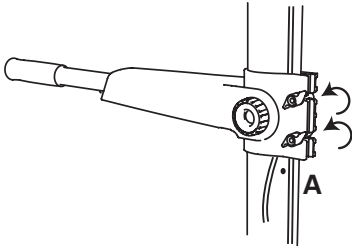
3. Straighten out all the parts of the folding shaft. Ensure that the cable and the cable stem are not twisted. Now assemble the shaft parts, as below.



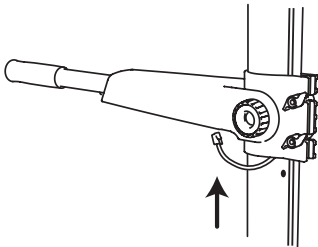
4. Turn the tension screw on the shaft clockwise until you feel a definite resistance.



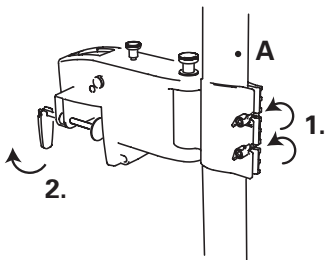
- Put the tiller handle on the tiller. Make sure you align the opening button on the tiller with the recesses in the tiller handle. The opening button must click into place audibly.
- Place the tiller above the deadbolt (A) on the folding shaft. The steering cable must come out under the tiller. Now slide the tiller to the required height. Close the tension bolt and tighten both wing nuts lightly. The height of the tiller can be adjusted after fitting.



- Connect the control cable.



- Push the transom bracket under the deadbolt (A) onto the folding shaft. Adjust to a suitable shaft length according to the conditions of your boat. The shaft length can also be adjusted once fitted. Close the tension bolt and tighten both wing nuts.





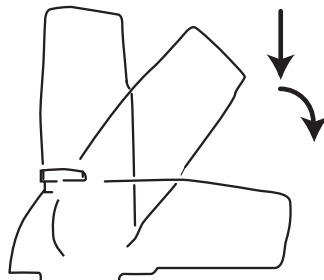
- Make sure you do not crush the control cable.
- Do not place the transom mount onto the shaft above the deadbolt to avoid damage to the shaft and the transom mount.



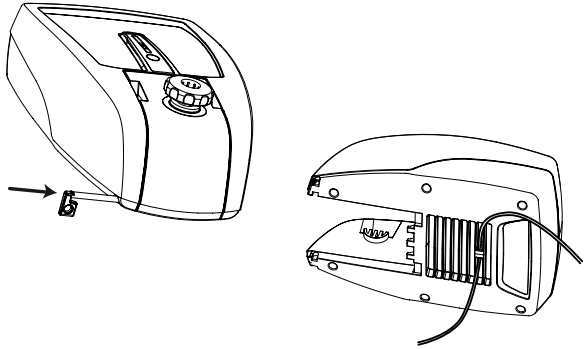
- Only fix the battery pack once the drive has been mounted and straightened.

## 8.2 Fitting the outboard motor to the boat

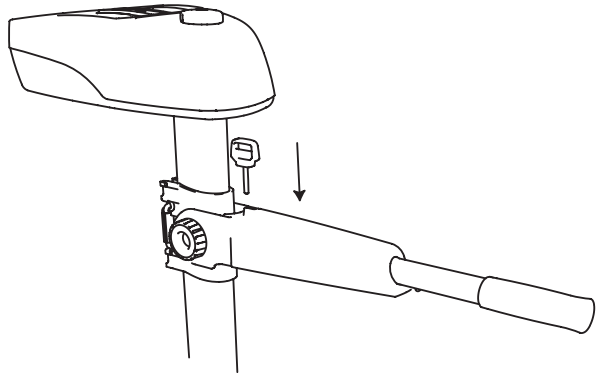
1. Suspend the drive in your boat and tighten the capstan-head screws. Ensure the weight is spread evenly in the boat.
2. To trim the motor, pull the stopper button of the transom mount and position the folding shaft vertically to the water surface.
3. To adjust the shaft length, loosen both wing nuts on the transom bracket and adjust the shaft length to your boat so that the propeller has the required submergence depth. Note that the submergence depth has a major influence on the efficiency of your drive. To optimize the submergence depth, please read the operating instructions in section 9.5.
4. To adjust the height of the tiller, loosen the respective wing nuts and pull the tiller to the required height. Once you have the required height, tighten the wing nuts again.
5. The tiller handle can be adjusted in length by pressing the opening button. Ensure that the button engages.
6. Turn the tiller handle to the stop position until it engages.
7. Fit the battery pack. To do this, lift it with both hands and fit it into the shaft head from above. Then swing the battery to the rear until it sits properly and engages.



8. Additionally you can secure the battery with the enclosed bolts to prevent it from coming loose accidentally. You may also slip a safety line through the eye on the bottom of the battery.



9. Insert the on/off pin into the opening on the top of the tiller.



10. The Travel 401/801 is ready to go.

You can download a video showing the assembly of the Travel at [www.torpeedo.com](http://www.torpeedo.com).



- When loosening the wing nuts, hold the motor by the shaft head to avoid unintentional slipping. There is a danger that you might crush your fingers or cut the control cable.
- Never loosen the wing nuts on the transom with the battery in place.
- When handling the outboard, ensure a secure hold to avoid accidentally falling overboard.



- Make sure you do not crush the control cable.

## 9. Operation

### 9.1 Battery and charger

The battery is equipped with high-performance lithium-manganese cells, so-called LIMA cells. The LIMA cells have a self-discharge of under 1% per month at 20°C, are cyclically stable and have no memory effect. The lithium battery can be used at an ambient temperature of between -20°C and +45°C.

The battery has an integrated control system that has several functions for protecting and caring for your battery. Among other functions, the control system protects the battery against overdischarge as well as overcharging. So you can leave the battery on the charger or empty it completely without worry.

The current charge status can be determined by pressing the „battery charge“ button at any time. After pressing the button, the LEDs will illuminate for approx. 10 seconds and show the charge level of the battery as a percentage.

LEDs on	LEDs flashing (1Hz)	Remaining charge in percent of capacity
–	–	0%
–	20	1-19%
20	–	20-39%
20-40	–	40-59%
20-40-60	–	60-79%
20-40-60-80	–	80-96%
20-40-60-80-100	–	>96%
–	20-40-60-80-100	Fault

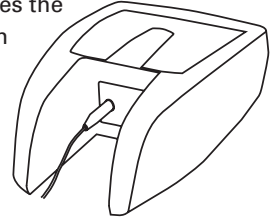
When charging, the battery’s control system regulates the charging current. The light diodes glow permanently on the capacity areas that are already charged. The light diodes of the capacity areas that are currently charging flash. Once charging is complete and the battery is fully charged, the LEDs extinguish.

The real capacity of your battery is subject to technical fluctuations. Its capacity will also change over time. To compensate for the capacity change, the charge indicator will adjust



to the battery's capacity. In order to ensure the charge indicator continues to show reliable values, it is necessary to empty the battery to below 20% and then fully charge it once a year.

The enclosed charger is adjusted to the control system and charges the Travel's battery in approximately 10 hours. When charging in high ambient temperatures ( $>35^{\circ}\text{C}$ ), it could take longer, as the control system is fitted with a temperature-dependent current regulator. This ensures gentle charging of the cells. Connect the charger and the cold battery to the mains for charging.



- When mounted, the battery is protected against rain and spray water. Do not submerge it, and keep the contacts as well as the charger port dry. If water enters the battery via the contacts or the charger port, this can cause irreparable battery damage. If liquid has entered the battery, first drain off the liquid through the battery case openings. Then dry the battery in a dry, warm environment up to  $50^{\circ}\text{C}$  before you use it again or before you press the „Battery charge“ button.
- Only use the Travel 401 battery with the Torqeedo Travel 401 outboard motor and the Travel 801 battery only with the Travel 801.
- Only use the enclosed charger or one authorized by Torqeedo to charge the battery.
- If a fault (all LEDs flashing) shows on the battery, take the battery off the shaft head. Wait until the LEDs go out (approx. 3 seconds) and press the „Battery charge“ button. This features an integrated reset function and may correct minor faults itself.



- Never open the battery case and protect the battery pack from mechanical damage.
- Do not short circuit the battery.
- Do not submerge the battery in water or other liquids.
- Only charge the battery at ambient temperatures between  $0^{\circ}$  and  $45^{\circ}\text{C}$ .
- LIMA battery cells only catch fire if they are exposed to temperatures above  $300^{\circ}\text{C}$ . This is a major advantage over other lithium-type battery systems. Should this occur, try and position the battery so it will cause no damage. Should this not be possible, keep your distance or cover the battery with sand or other dry, non-flammable materials.

## 9.2 Transom bracket

The power needed for steering can be adjusted with the **friction screw**. Turning the screw clockwise increases the necessary steering power up to locking the motor. Turning anti-clockwise reduces the necessary steering force.

Pulling the **stopper button** unlocks the folding mechanism. The drive can be locked into position at 0°, 8°, 16°, 24°, 36°, 49°, 62° and 75 °. If a boat does not have a vertical mounting, it is thus possible to adjust the motor to ensure it is at a right angle to the water surface.



- Only tilt the shaft if the battery is removed or fixed to the shaft head with the bolt.
- When using the tilting mechanism, hold the shaft until you feel it lock into place.

## 9.3 Tiller

The **tiller** can be lifted up two notches by up to 20°.

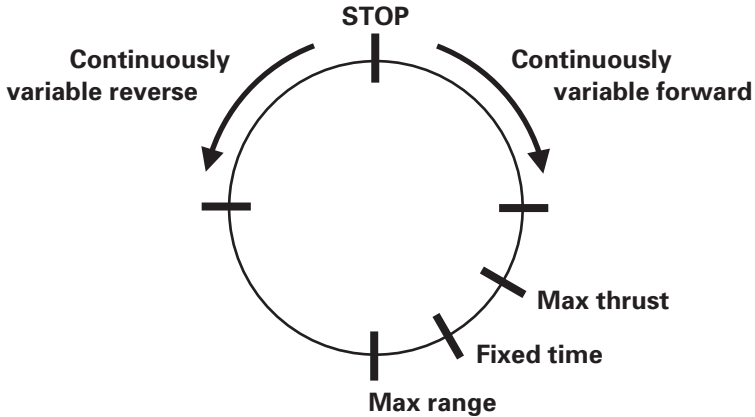
The **opening button** on the aluminum tube allows the length of the tiller to be adjusted. Press this button into the aluminum tube to adjust the length in three stages.



- Ensure that the button engages again.

You can shut down the drive quickly by pulling the **on/off pin**. Simply remove this pin by pulling it out. The drive will only start again when the pin is re-inserted. The tiller must be positioned in stop-mode to do this.

The digital power control combines continuously variable speed with fixed locking points for pre-defined speeds. The following diagram shows the different **control points** as seen from the boat.



Tiller position	Function	Application example
Continuously variable reverse	Continuously variable reverse drive	<ul style="list-style-type: none"> <li>• Maneuvring</li> </ul>
Continuously variable forward	Continuously variable forward drive	<ul style="list-style-type: none"> <li>• <b>Normal steering</b></li> <li>• Maneuvring</li> </ul>
Max thrust	<p>Short term maximum thrust forwards (&lt; 10 minutes)</p> <ul style="list-style-type: none"> <li>• Only available if battery is relatively full</li> <li>• Especially effective on heavier boats; no effect on light boats, which do not use the full thrust of the engine</li> </ul>	<ul style="list-style-type: none"> <li>• Rapid acceleration</li> <li>• Maneuvring</li> </ul>
Fixed time	<p>Travelling speed with fixed time. If the battery is fully charged, the following times are set:</p> <ul style="list-style-type: none"> <li>• Travel 401: 2 hours</li> <li>• Travel 801: 1 hour</li> </ul> <p>Times relate to use of the Travel LIMA battery</p>	<ul style="list-style-type: none"> <li>• Travel on controlled timescale (without using the battery charge indicator)</li> </ul>
Max range	<p>Slow travel with speed close to range maximum (50 W initial power for Travel 401 and 801, i.e. approx. 6 hours travel time) However, the optimum distance operation varies widely from boat to boat.</p>	<ul style="list-style-type: none"> <li>• Reaching the mooring point on low battery charge</li> <li>• Long range when using in lulls</li> </ul>

## 9.4 Pylon

The **motor** and the **electronic control system** are located in the pylon. They generate the propulsion. In addition, several protective functions are integrated:

1. **Temperature protection:** If the motor overheats, the motor control system reduces the output of the drive until a temperature equilibrium is established between generated and disposed heat.
2. **Undervoltage protection:** If the voltage falls below 9 V (Travel 401) or 17 V (Travel 801), the electronic controller switches the drive off to avoid overdischarging the battery. Even beforehand, the output of the motor is regulated so that high currents of over 37 A do not occur.
3. **Blocking protection:** If the propeller is blocked or stuck, the motor would normally take in too much power. In this case, the motor is switched off within a few hundredths of a second to protect the electronics, motor winding and propeller. After unblocking, the motor can be re-started out of the stop position after about 1 second.
4. **Cable damage protection:** If the steering cable is damaged, i.e. if the connection to the tiller is broken, the motor will not start, or it stops.
5. **Acceleration control:** The alteration speed at which the speed of the propeller adjusts to a changed tiller position is limited in order to protect mechanical drive parts and to avoid short-term peak current.



- If the motor malfunctions, first switch the tiller control to the stop position for approx. 2 seconds. The stop position has a reset function and may correct minor faults itself.

The highly efficient **variable pitch variable camber (VPVC) propeller** is equipped with a mechanical **slip clutch** that protects the drive from mechanical damage on sudden blockages of the propeller. The slip clutch is designed as a redundant safety feature to the electronic blocking protection described above.

The **fin** supports steering movements and protects the propeller when it comes into contact with the bottom.

The **sacrificial anode** protects the metallic components that are located under the water from corrosion, especially in salt water.



- Only run the motor when the propeller is under water. If it is run in the air, the shaft sealant rings that seal the motor to the drive shaft are damaged. If the motor is run in the air for a longer period, the motor itself can overheat.
- After using the motor, it must be removed from the water. You can do this using the tilt mechanism of the transom mount.

### 9.5 Optimum submergence depth

The submergence depth of the propeller in the water has a major impact on the efficiency of your drive. When measured by Torqeedo, depending on the submergence of the propeller, variations in the total efficiency of up to 10 percentage points, up to 20 percent for distance and up to 5 percent for maximum speed were found.

The substantial influence of the submergence depth of the propeller is due to the significance of the wake for the boat's propeller. On the whole, propellers can achieve maximum efficiency if they use the wake of the boat to the best advantage. The position for this varies from boat to boat. On the whole, the propeller shows very good efficiency when only submerged slightly (near the water level, but low enough that it does not take in air). Independently of this, we recommend you find the efficient depth by trial and error. The simplest way to do this is to find the highest speed with different submergence depths using a GPS.



- The high power thrust of the drive makes it necessary to familiarize yourself with the characteristics of your Torqeedo Travel 401/801. Practice handling the motor and maneuvering in open water.

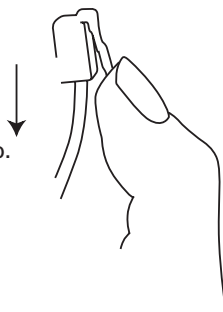
## 10. Dismantling

1. Pull the on/off pin
2. Remove the bolt from the battery and lift the battery up.
3. Unhinge the motor and place it on an even surface.



- The pylon may be hot.

4. Loosen the wing nuts on the transom bracket and open the tension clamp. Pull the tiller off the shaft.
5. To remove the control cable from the tiller, press the locking switch on the plug and pull the control cable out.
6. Loosen the wing nuts on the tiller and open the tension clamp. Pull the tiller off the shaft.
7. Turn the tension screw in the shaft head anti-clockwise until it is loose.
8. Pull the folding shaft parts apart.
9. Fold the shaft together.
10. Stow the folding shaft and the other assembly groups in the enclosed drybag.

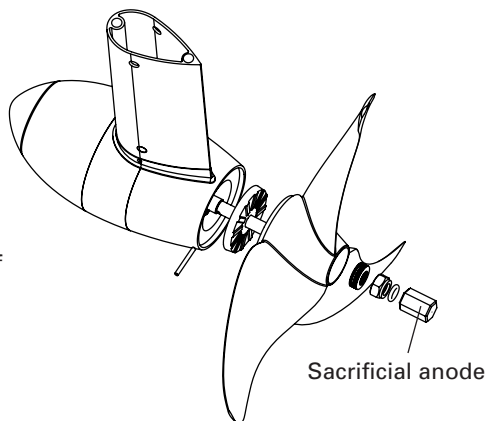


- Ensure all the motor components are dry before you place them in the drybag.
- Ensure you do not fold the cable and rope around sharp edges.
- Only use the drybag for transport, not for shipping. Do not place heavy objects on top of the motor stowed in the drybag.

## 11. Storage and care instructions

### 11.1 Corrosion protection

Materials have been chosen with a high level of corrosion-resistance. Most of the materials used in the Travel 401/801 are, as with most leisure maritime products, classed as „seawater resistant“, not „seawater-proof“.





- After use, always take the motor out of the water. You can do this using the tilt mechanism of the transom mount.
- After use in salt or brackish water, rinse the motor (but never the battery) with fresh water.
- Always store the motor and battery dry in the drybag.
- Treat the following parts with contact spray once a month:
  - Contacts on the battery
  - Contacts on the shaft head
  - Steel bolts on the joints of the folding shaft
  - Plug on the control cable
- We recommend checking the sacrificial anode once a year. The sacrificial anode is fitted to the drive shaft of the propeller. Only use Torqeedo sacrificial anodes - you can order these from your dealer or the Torqeedo Service Team.

### 11.2 Battery care

You will prolong the life of your battery if you do not expose it to a very hot environment. When you store the battery over an extended period (e.g. over the winter), charge it to about 80-97% and store it at -20°C to +15°C to ensure a long battery life and avoid deep-discharge. Leaving your battery permanently connected to the power supply unit does not solve the problem of deep-discharge, since the battery cancels the charging process once it is fully charged in order to prevent over charging. It is only possible to re-charge the battery by reconnecting it to the charging socket.

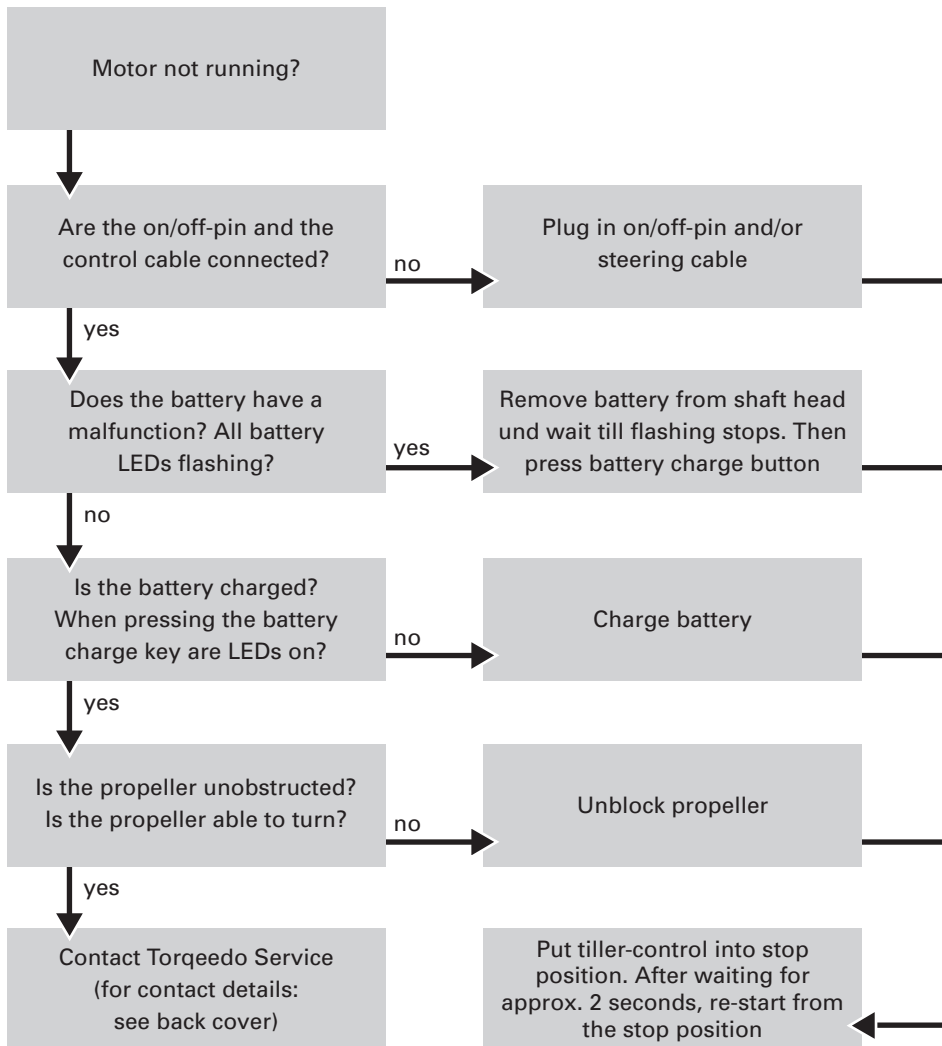
### 11.3 Other care instructions

To clean the motor you can use any cleaning agents suitable for plastic - follow the manufacturer's instructions. Cockpit sprays available for cars achieve good results on the plastic surfaces of the Torqeedo Travel.

## 12. Trouble-shooting



- Repairs may only be carried out by authorized Torqeedo Service Centers. Owner's repair attempts immediately make the warranty claim void.
- In case of a warranty claim, please follow the warranty instructions at the beginning of the instruction manual.





### 13. Technical data

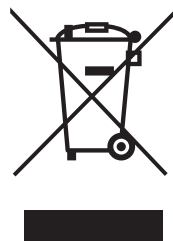
	Travel 401 S	Travel 401 L	Travel 801 S	Travel 801 L
Input power in watts	400	400	800	800
Rated power in volts	14.8	14.8	29.6	29.6
Final charge in volts	16.8	16.8	33.6	33.6
Propulsive power in watts *	175	175	350	350
Maximum overall efficiency in %	44%	44%	44%	44%
Static thrust in kf (lbf)	18 (40)	18 (40)	31 (68)	31 (68)
Total weight in kg (lbs)	11.4 (25.0)	12.0 (26.5)	11.6 (25.5)	12.2 (26.9)
Motor weight without battery kg (lbs)	7.9 (17.3)	8.5 (18.8)	8.1 (17.8)	8.7 (19.2)
Integrated battery weight in kg (lbs)	3.5 (7.7)	3.5 (7.7)	3.5 (7.7)	3.5 (7.7)
Maximum shaft length in cm (inch)	59 (23)	71 (28)	59 (23)	71 (28)
Integrated battery	300 Wh LIMA	300 Wh LIMA	300 Wh LIMA	300 Wh LIMA
Propeller dimensions in inches	12 x 10	12 x 10	12 x 10	12 x 10
Propeller speed in rpm	max. 720	max. 720	max. 720	max. 720
Control	Tiller-control	Tiller-control	Tiller-control	Tiller-control
Steering	180° lockable	180° lockable	180° lockable	180° lockable
Tilting device	manual	manual	manual	manual
Trim device	manual, 7-step	manual, 7-step	manual, 7-step	manual, 7-step
Stepless drive forwards/reverse	yes	yes	yes	yes
Additionally preset speeds	yes	yes	yes	yes

\* The effective performance available for boat propulsion (measured after deducting all deficits including propeller deficits). Definition of propulsion output = thrust power x speed)

### 14. Disposal instructions

Torqeedo Travel motors are manufactured in accordance with EU Directive 2002/96. This directive regulates the disposal of electrical and electronic devices for the protection of the environment.

You can, in line with regional regulations, hand in the motor at a collecting point. From there it will be professionally disposed of.



## 15. Accessories

Article No.	Product	Description
1111	<b>Rechargeable battery for Travel 401</b>	LIMA high-performance battery with integrated display of charging state, 300 Wh, 14.8 V
1112	<b>Rechargeable battery for Travel 801</b>	LIMA high-performance battery with integrated display of charging state, 300 Wh, 29.6 V
1113	<b>Charging unit for rechargeable battery for Travel 401</b>	40 watt charging unit (20 V; 2 A) for charging the Travel 401, for power connection with 100-240 V and 50-60 Hz
1114	<b>Charging unit for rechargeable battery for Travel 801</b>	80 watt charging unit (40 V; 2 A) for charging the Travel 801, for power connection with 100-240 V and 50-60 Hz
1115	<b>Battery adapter cable set Travel</b>	Adapter for connecting the Torqueedo Travel 401 and 801 Models to standard lead batteries with 12 V (Travel 401) or 24 V (Travel 801), incl. 3 m (10 ft) connection cable and a short connection cable to connect two batteries together
1901	<b>Replacement propeller</b>	Variable-Pitch-Variable-Camber (VPVC) Propeller, developed especially for the torque characteristic and performance range of Torqueedo-motors; made of high-impact resistant, glass-fiber reinforced PBT (Polybutylene terephthalate), complete with nuts, disc springs and cylinder pin



## **Torqueedo Service Centers:**

### **Europe and international**

Torqueedo GmbH  
Petersbrunner Str. 3a  
82319 Starnberg  
Germany

[service\\_international@torqueedo.com](mailto:service_international@torqueedo.com)  
T +49 - 8151 - 268 67 -26  
F +49 - 8151 - 268 67 -19

### **North America**

Torqueedo Inc.  
22705 W Lochanora Drive  
Hawthorn Woods, IL 60047  
U.S.A

[service\\_usa@torqueedo.com](mailto:service_usa@torqueedo.com)  
T +1 - 847 - 726 0071  
F +1 - 847 - 726 0084